



HAWKER

LEVEL CONTROL SYSTEMS

Heavy Duty Electrode Holder Type HPE8/P

HPE8/P similar to HPE8 but with insert moulded in, to provide pressure under the flange of 30psi. Supplied with two rubber gaskets, stainless steel nuts and bolts to secure the cap to the base also a stainless steel coupler to accept 3/4" pipe electrode.

Also available for immersion to IP67 and pressure under the flange of 100psi

Electrodes are available in galvanised mild steel. Stainless steel type 316, plain or plastic coated, PPA plastic coating is WRAS approved No 1711505

Maximum Shipping Length;

a) Stainless Steel – 3m

Stainless electrodes can be threaded and coupled (extra charge) to make up lengths greater than 3m.

b) Galvanised – 3.2m

Galvanised is supplied threaded both ends and C/W a one off coupler to make lengths greater than 3.2m.

Electrode steady brackets (Type 85) are advisable every 3 metres.

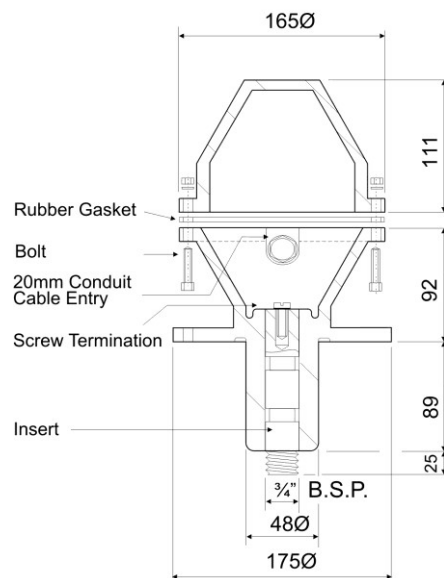
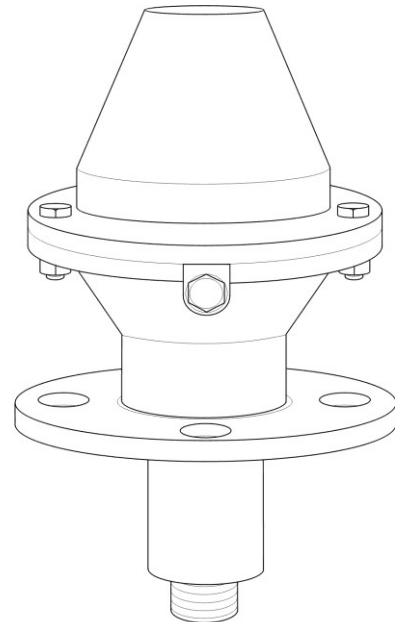
Electrode length is calculated from the underside of the flange less 89mm

Rubber bungs are available to insert in the electrode tip.

We provide a service to thread 3/4" pipe.

Plastic touch up paint for electrodes is also available.

ATEX APPROVED models are available for use with P8/IS level controller



This product has been designed and complies to the relevant standards as listed in its certificate of conformity. The installer/user must ensure compliance. The crossed out bin symbol, placed on the product, reminds you of the need to dispose of the product correctly at the end of its life. Because of continuing development we reserve the right to change the specifications without notice

HAWKER ELECTRONICS LTD.

57 The Avenue,
 Rubery Industrial Estate,
 Birmingham B45 9AL, ENGLAND
 Telephone: +44 (0)121-453-8911 Fax: +44(0)121-453-3777
 email: info@hawker-electronics.co.uk www.hawker-electronics.co.uk



FM 10000



BRITISH MADE