



HAWKER

LEVEL CONTROL SYSTEMS

Heavy Duty Electrode Holder Type HPE8

HPE8 Electrode holders are suitable for sewage, water and effluent applications. Moulded in Phenolic (SR4007) for high strength and chemical resistance. Supplied with Stainless Steel clamping collar, rubber gasket and Stainless Steel nuts and bolts to secure cap to the base. The holder will accept a single 3/4" B.S.P. pipe electrode of nominal OD 26.7mm and wall thickness 2.87mm.

Electrodes are available in Galvanised Mild Steel, Stainless Steel type 316, plain or plastic coated, (for latter specify HPE8/1). PPA plastic coating WRAS approved No 1711505

Maximum shipping length;

a) Stainless Steel – 3m

Stainless electrodes can be threaded and coupled (extra charge) to make up lengths greater than 3m.

b) Galvanised – 3.2m

Galvanised is supplied threaded both ends and C/W a one off coupler to make up lengths greater than 3.2m.

Electrode steady brackets (Type 85) are advisable every 3 metres.

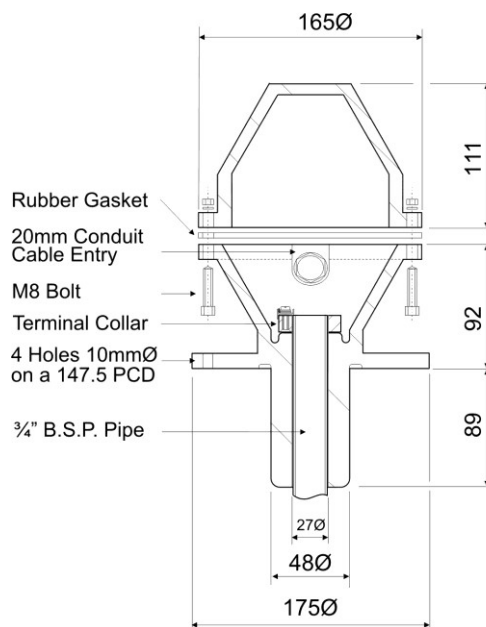
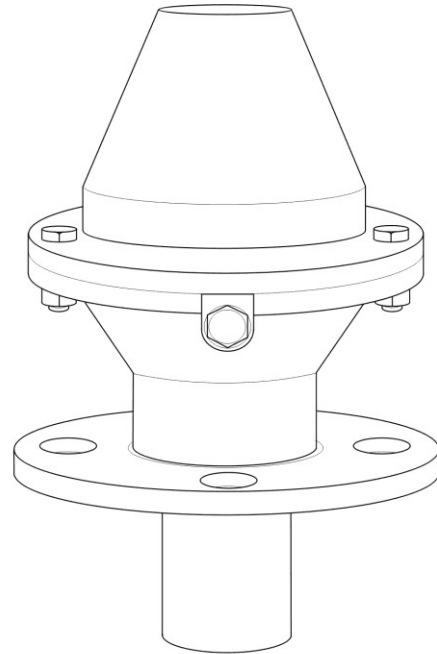
Electrode adjustment 114mm.

Electrode length is calculated from the underside of the flange plus 92mm.

Rubber Bungs are available to insert in the electrode tip.

Plastic touch-up paint for electrodes is also available.

ATEX APPROVED models are available for use with P8/IS level controller.



This product has been designed and complies to the relevant standards as listed in its certificate of conformity. The installer/user must ensure compliance. The crossed out bin symbol, placed on the product, reminds you of the need to dispose of the product correctly at the end of its life. Because of continuing development we reserve the right to change the specifications without notice

HAWKER ELECTRONICS LTD.

57 The Avenue,
 Rubery Industrial Estate,
 Birmingham B45 9AL, ENGLAND
 Telephone: +44 (0)121-453-8911 Fax: +44(0)121-453-3777
 email: info@hawker-electronics.co.uk www.hawker-electronics.co.uk

