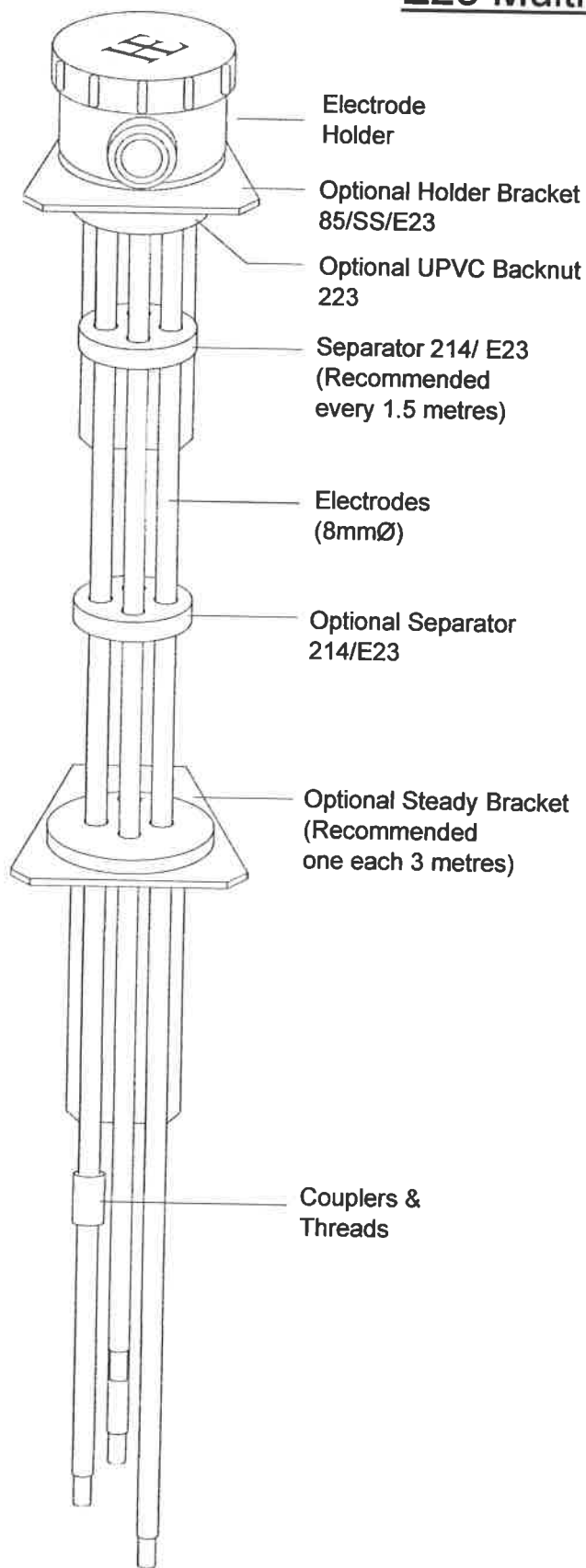




E23 Multi Electrode Holder



Electrode Holder

Optional Holder Bracket 85/SS/E23

Optional UPVC Backnut 223

Separator 214/ E23 (Recommended every 1.5 metres)

Electrodes (8mmØ)

Optional Separator 214/E23

Optional Steady Bracket (Recommended one each 3 metres)

Couplers & Threads

These units require a separate controller

Electrode Holders - E23, E23/IP67/X, E23/Titanium, E23/Hastelloy C. **Where X = No of electrodes 2,3, or 4**

Standard Version	Type E23/ IP67/X E23 /Titanium, Type E23 Hastelloy C.
& ATEX Version	Type E23/ IP67/X/IS Type E23/ IP67/X/Titanium/IS Type E23/ IP67/X/Hastelloy C /IS

Electrodes	Stocked in 3 metre lengths sell to the measurement. Type 188, PPA Plastic Coated 316 S/S Type 193, Titanium Type 194, Monel Type 196, Hastelloy C.
-------------------	--

Couplers	Type 189/X, 189/X for electrodes over 3 metres Type 189/X, Titanium, Type 189/X Hastelloy C.
-----------------	---

Threading	Type 211/Rod
------------------	--------------

Options

Holder Brackets	Type 85/SS/E23
-----------------	----------------

Steady Bracket	Type 218A/SS/E23
----------------	------------------

Separator	Type 214A/E23, Type 214/E23/Titanium, Type 214/E23/Hastelloy C. (1 off Separator included with a E23 holders)
-----------	---

Backnut	Type 223
---------	----------