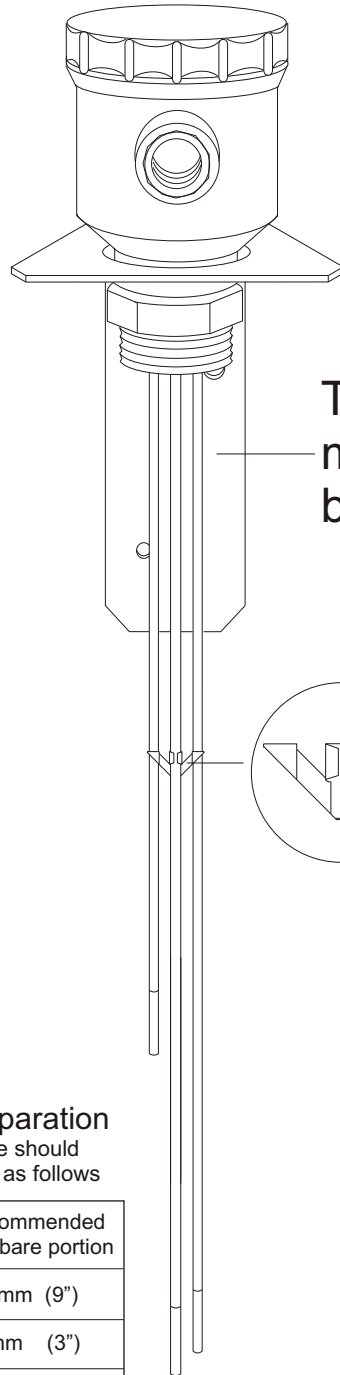
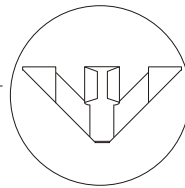


E14 Light Duty

E14 for up to 4 electrodes, (3mmØ) max recommended length 1m



Type 71 mounting bracket



Electrode spacer (2 included with each E14)

Electrode Preparation

Coated electrode should be bared at the tip as follows

Electrode Size	Recommended min bare portion
BSP	230mm (9")
8mm dia	75mm (3")
3mm dia	75mm (3")