



# HAWKER LEVEL CONTROL SYSTEMS

## Type E13A Multi-Electrode Holder

For use with all level controllers and alarms operating in aqueous (conducting) liquids i.e. water, acids, chemical effluent, beverages etc.

- Spacer saver
- Accommodates up to 5 electrodes
- Universal flange fitting
- Corrosion resistant
- Intrinsically safe and pressure tight version available
- Electrodes available for most aggressive liquids, (i.e. PPA coated Stainless Steel, Titanium, Monel, Hastelloy C)

The Hawker multi electrode holder is moulded in tough glass filled Polypropylene and accommodates up to five coated 8mm electrodes up to 3m long, typically Stainless Steel Type 316, supplied plain or plastic coated. Plastic coated electrodes are PPA coated WRAS No 1610508. Also available in Hastelloy C, Monel, Titanium, (longer lengths are available via threaded couplers), it is ideal for water tanks, chemical storage tanks and bunds. 5 electrodes enable the E13A to be used for pump control with high and low alarms. Use centre hole for earth electrodes. Mounting (Type 81/Stainless Steel) and Steady (Type 218/Stainless Steel) brackets and separators (Type 214) are available. Always use the well proven, AC or P3/P4 or DC1 series controllers incorporating CSD circuitry.

**The Universal Flange is suitable for:-**

ANSI 3" 150lb  
DN 80 PN16 flush fitting or 4 hole only.  
BS10 table D 3"  
Hawker type 81/Stainless Steel bracket  
Fixing kits available (ref 215) to mount E13 to bracket

**Temp Range:-** -20°C to + 85°C

**Weight:-** 0.55 Kg

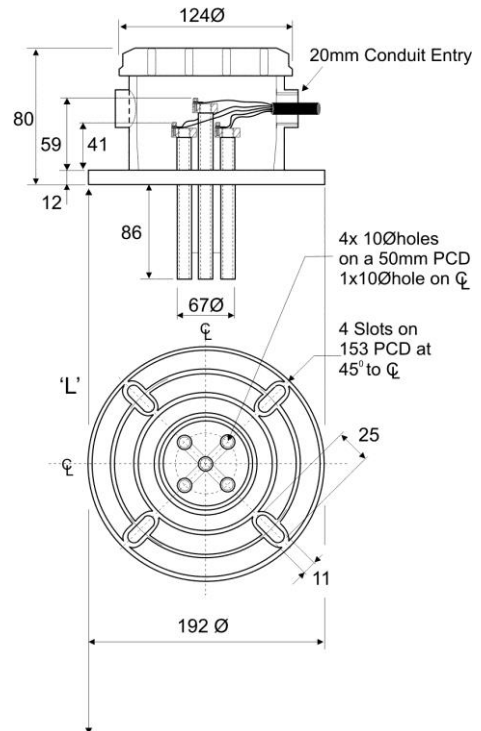
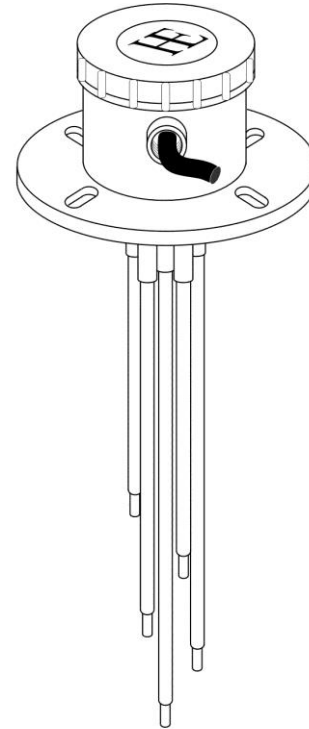
ATEX and IECEx APPROVED model HPE13/IS to [ Exia Ga] IIC  
Both the standard and ATEX APPROVED versions are available to IP67 if required

Electrodes are ordered separately to the E13A. When ordering electrodes please specify-

'L' +70mm = electrode lengths for E13A  
'L' +12mm = electrode lengths for E13A/IP67

Electrode Material	Order Ref	Size	Maximum Available Length
Uncoated 316L Grade Stainless Steel	187	8mm	3m
PPA Coated 316L Grade Stainless Steel	188	8mm	3m
Uncoated Titanium	193	8mm	3m
Uncoated Monel	194	8mm	3m
Uncoated Hastelloy	196	8mm	3m

**Note** – If longer electrode lengths are required this can be achieved by threading and coupling the rod (additional cost).



*This product has been designed and complies to the relevant standards as listed in its certificate of conformity. The installer/user must ensure compliance. The crossed out bin symbol, placed on the product, reminds you of the need to dispose of the product correctly at the end of its life. Because of continuing development we reserve the right to change the specifications without notice*

### HAWKER ELECTRONICS LTD.

57 The Avenue,  
Rubery Industrial Estate,  
Birmingham B45 9AL, ENGLAND  
Telephone: +44 (0)121-453-8911 Fax: +44(0)121-453-3777  
email: info@hawker-electronics.co.uk www.hawker-electronics.co.uk



FM 10000

BRITISH MADE