



# HAWKER

## LEVEL CONTROL SYSTEMS

### Type E13A Multi-Electrode Holder

For use with all Level Controllers & Alarms  
Operating in Aqueous (Conducting) Liquids  
i.e. Water, Acids, Chemical Effluent,  
Beverages etc.

- Space saver
- Accommodates up to 5 electrodes
- Universal flange fitting
- Corrosion resistant
- Intrinsically safe & pressure type version available
- Electrodes available for most aggressive liquids, (i.e. Titanium, Monel, Hastelloy C)

The Hawker Multi Electrode Holder is moulded in tough glass filled polypropylene and accommodates up to 5 plastic coated 8mm electrodes up to 3m long (longer lengths available via threaded & couplers), It is ideal for water tanks, chemical storage tanks & bunds. 5 electrodes enable the E13A to be used for used for pump control with high & low alarms. Use centre hole for earth electrodes. Mounting and steady brackets, separators etc. are available to aid easy site installation. Always use the well proven, AC or P3/P4 series controllers incorporating CSD circuitry.

#### The Universal Flange is suitable for:-

ANSI 3" 150lb  
DN 80 PN16  
BS10 Table D 3"  
Fixing Kits available (ref 215)  
Hawker Type 81 Bracket

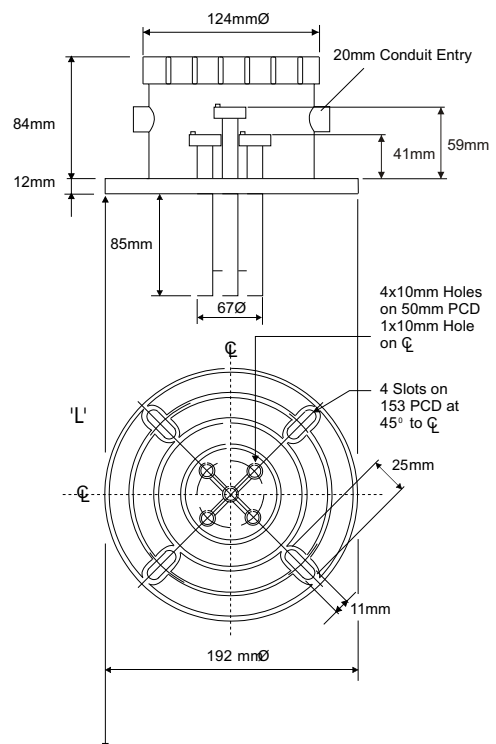
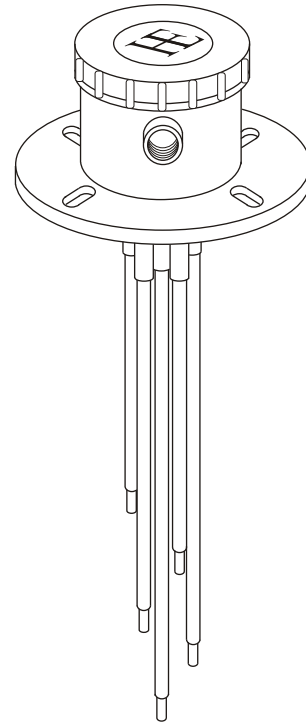
**Temp Range:-** -20°C to +85°C

**Weight:-** 0.55 Kg

An E13A/IP67 is available to special order  
An E13A/IS for intrinsically safe model to Ex ia II CT6

#### When Ordering specify:-

N = No of Electrodes  
'L' +70mm = Electrode lengths for E13A  
'L' +12mm = Electrode lengths for E13A/IP67



*Because of continuing development we reserve the right to change the specifications without notice*

### HAWKER ELECTRONICS LTD.

57 The Avenue,  
Rubery Industrial Estate,  
Birmingham B45 9AL, ENGLAND  
Telephone :+44 (0)121-453-8911 Fax : +44(0)121-453-3777  
e.mail: info@hawker-electronics.co.uk www.hawker-electronics.co.uk



FM 10000



BRITISH MADE