



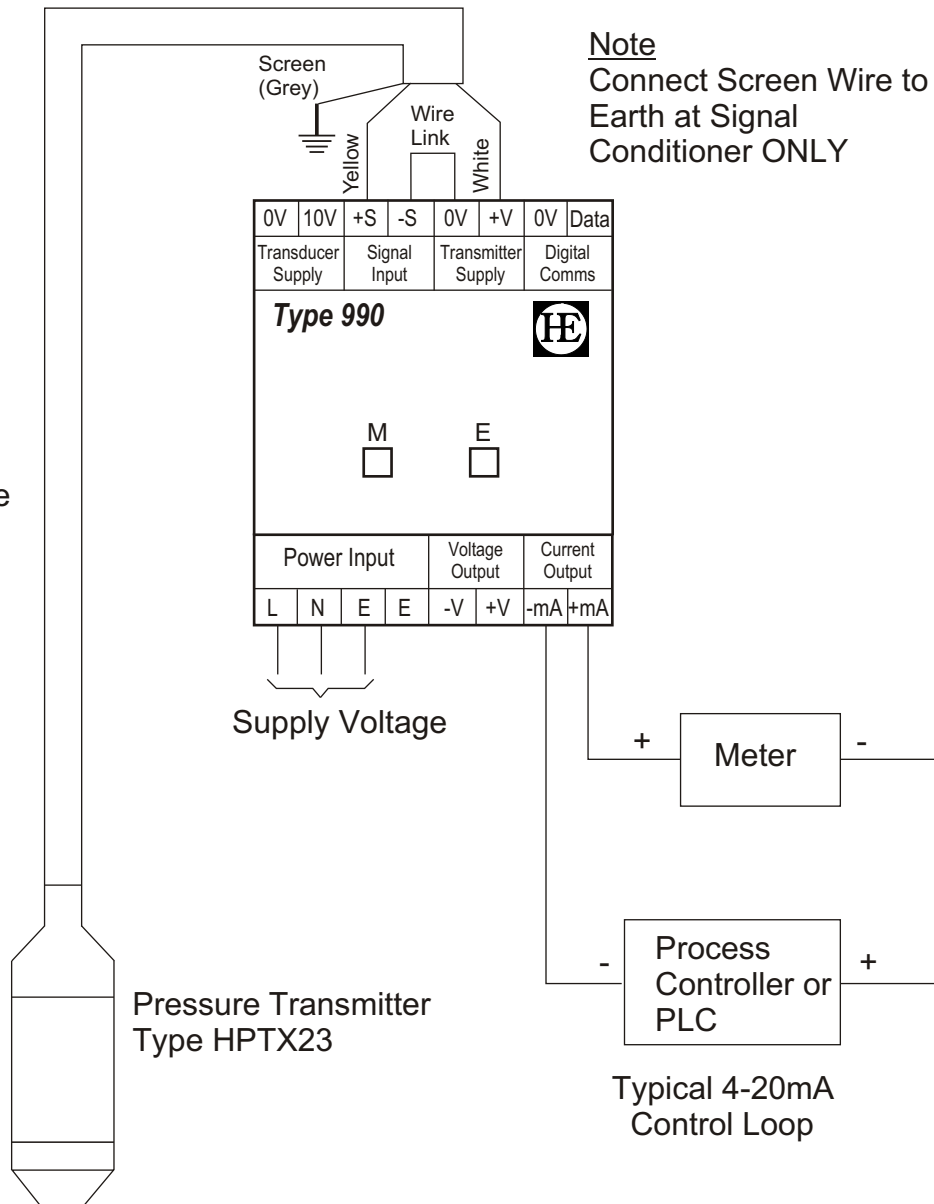
## Signal Conditioner Type 990

Application Wiring Diagram for Pressure Transmitters Type HPTX23 be read in conjunction with Type 990 Installation and Setting up Instructions

Red (+ VE Supply)  
Blue (-VE Output)

Note  
Connect Screen Wire to Earth at Signal Conditioner ONLY

Transmitter Cable  
2-Core Screened  
& Vented.



This product has been designed and complies to the relevant standards as listed in its certificate of conformity. The installer/user must ensure system compliance  
Because of continuing development we reserve the right to change the specification without notice

### HAWKER ELECTRONICS LTD

57, The Avenue,  
Rubery Industrial Estate,  
Birmingham, B45 9AL, England  
Telephone :+44(0)121-453-8911 Fax: +44(0)121-453-3777  
E.mail: info@hawker-electronics.co.uk



W D 76  
Issue A  
May 06  
D973.cdr