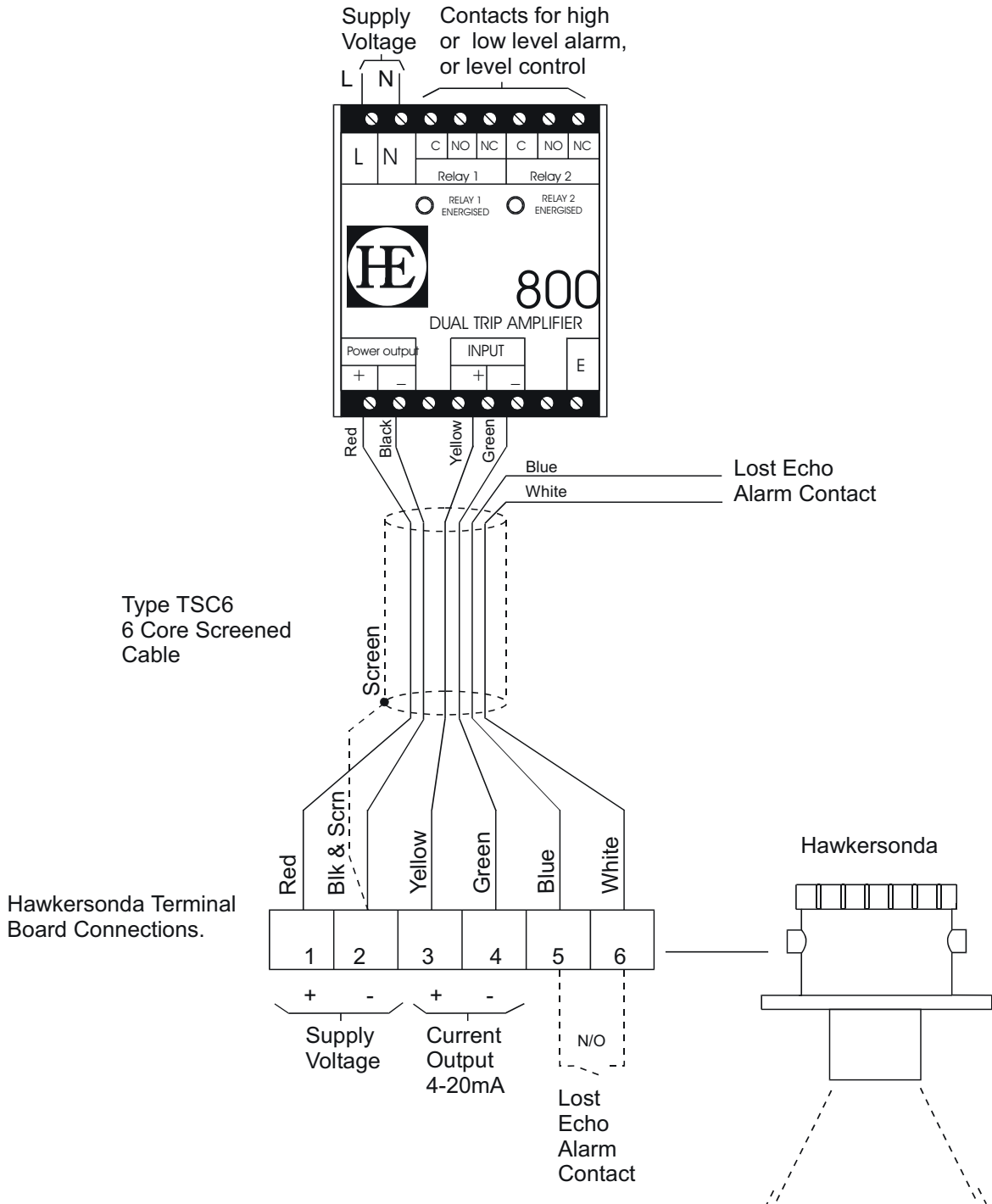




## HAWKERSONDA

Wiring Diagram for Type 800 Dual Trip Amplifier used with Hawkersonda Level Transmitter, to be read in conjunction with Hawkersonda & Type 800 installation & setting up instructions.



This product has been designed and complies to the relevant standards as listed in its certificate of conformity The installer/user must ensure system compliance  
*Because of continuing development we reserve the right to change the specifications without notice.*

### HAWKER ELECTRONICS LTD.

57, The Avenue,  
Rubery Industrial Estate.  
Birmingham, B45 9AL, ENGLAND  
Telephone : +44(0)121-453-8911 Fax : +44(0)121-453-3777  
e mail: info @ hawker- electronics.co.uk



WD 3  
B.D. D402.CDR  
Issue B  
Feb 02