

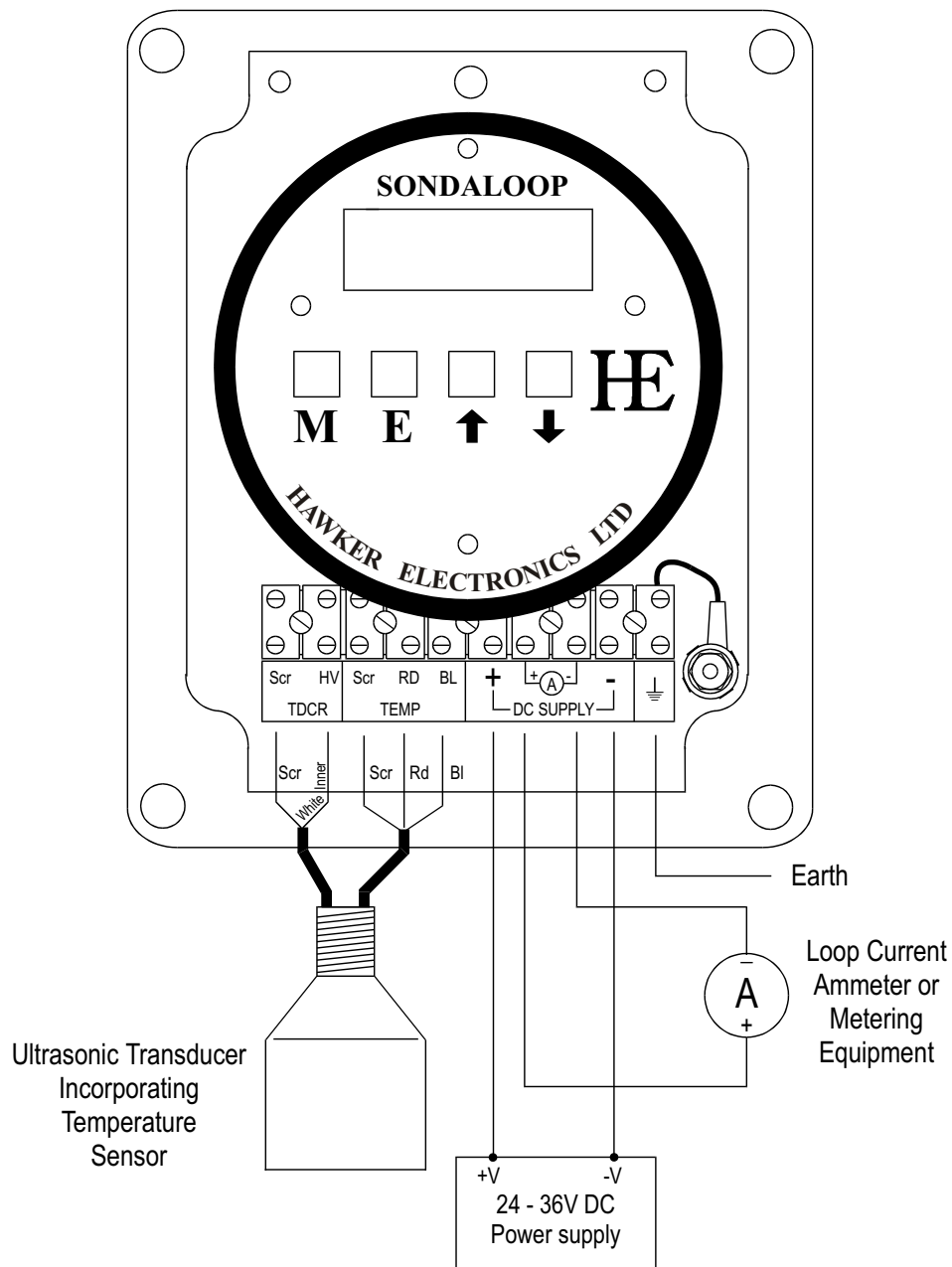


# HAWKER

# LEVEL CONTROL SYSTEMS

## Remote Sondaloop Terminal Connection Details.

To be read in Conjunction with O&M 40 Sondaloop Setting-up Instructions



This product has been designed and complies to the relevant standards as listed in its certificate of conformity. The installer/user must ensure system compliance  
Because of continuing development we reserve the right to change the specification without notice

### HAWKER ELECTRONICS LTD

57, The Avenue,  
Rubery Industrial Estate,  
Birmingham, B45 9AL, England  
Telephone :+44(0)121-453-8911 Fax: +44(0)121-453-3777  
E.mail: info@hawker-electronics.co.uk



W D 66  
Issue A  
Nov 02  
D757.cdr

FM 10000