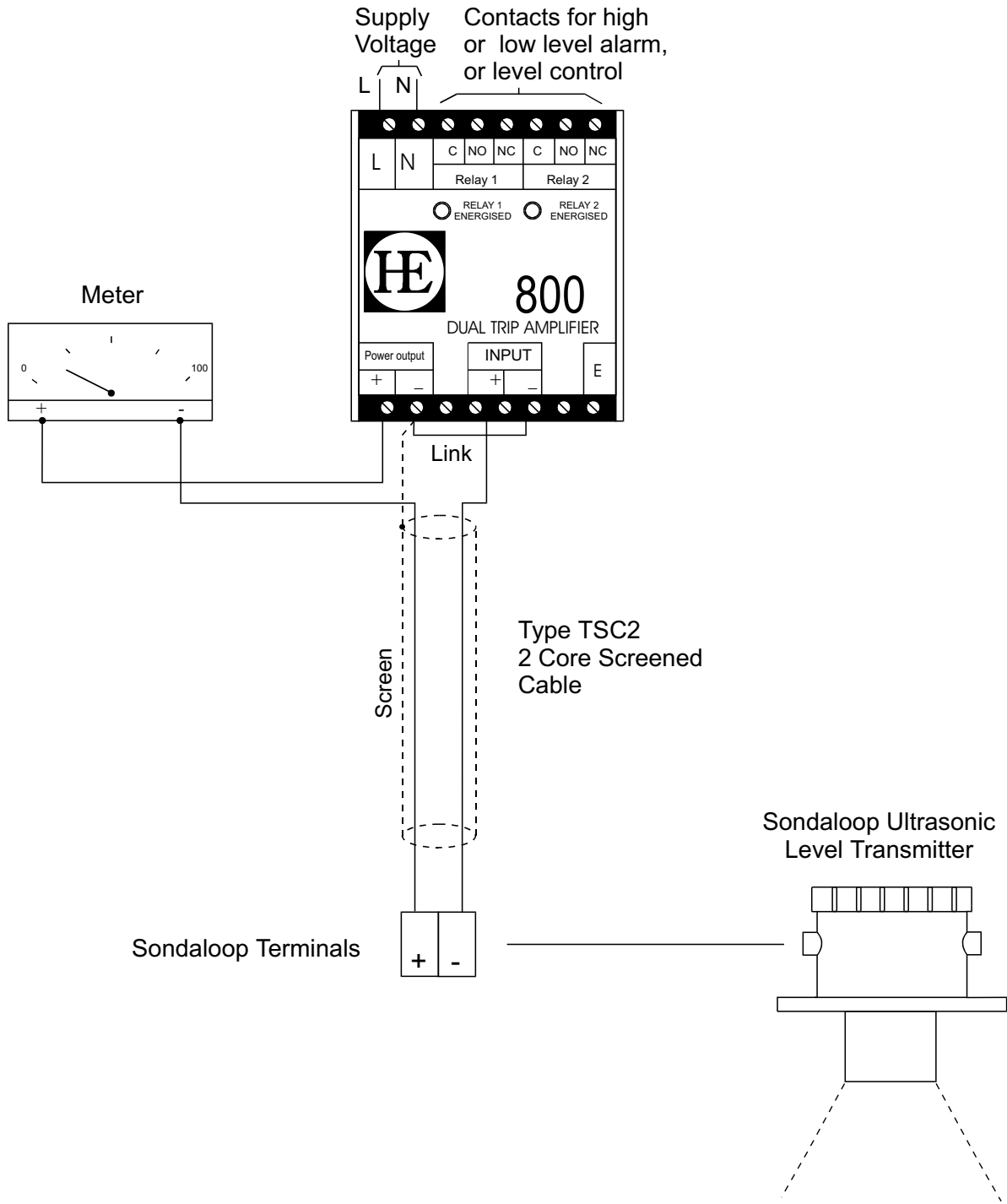




SONDALOOP ULTRASONIC LEVEL TRANSMITTER

Wiring diagram for Sondaloop Ultrasonic level Transmitter with Type 800 Dual trip Amplifier to be read in conjunction with Sondaloop and Type 800 Dual trip Amplifier.



This product has been designed and complies to the relevant standards as listed in its certificate of conformity The installer/user must ensure system compliance
Because of continuing development we reserve the right to change the specifications without notice.

HAWKER ELECTRONICS LTD.

57, The Avenue,
Rubery Industrial Estate,
Birmingham, ENGLAND.
Telephone : +44(0)121-453-8911 Fax : +44(0)121-453-3777
e mail: info @ hawker- electronics.co.uk



W D 64
D719.CDR
Issue A
Feb 02