

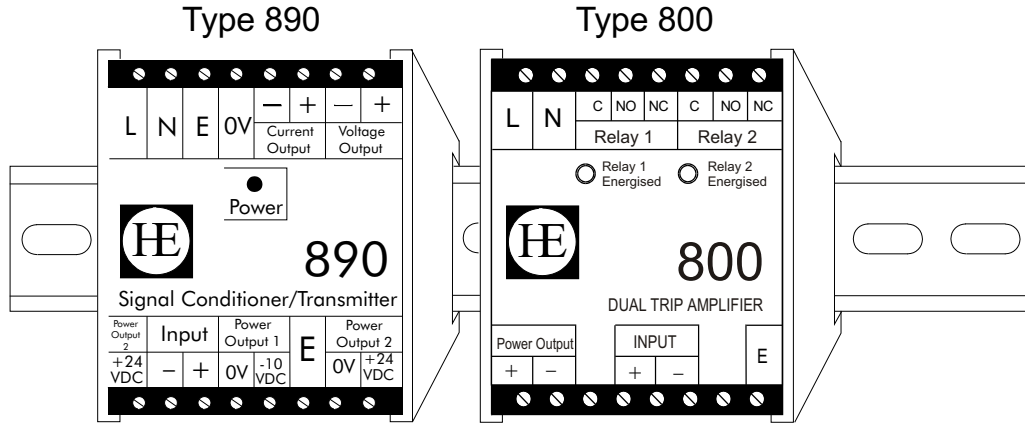


HAWKER

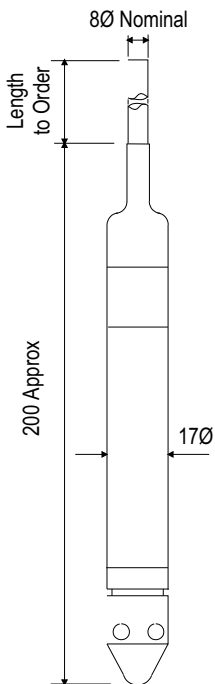
LEVEL CONTROL SYSTEMS

Pressure Transducers & Transmitters

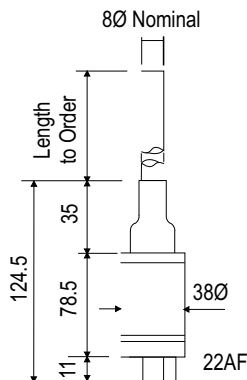
Level Indication & Control Systems



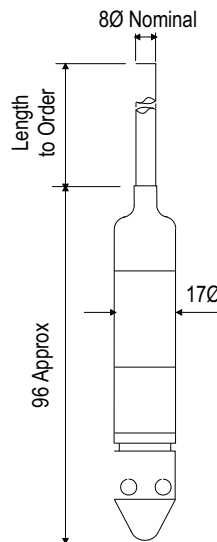
This system may be used for Boreholes, Reservoirs, Enclosed Tanks, Wet Wells etc, where foaming can occur. Also gases under pressure and many more applications where Ultrasonics and other systems are not suitable. The control units are surface or DIN rail mounted. The Type 890 Signal Conditioner (Transmitter, Linearizer) shown provides power for either a Transducer or a Transmitter, and gives selectable outputs and Zero & Span adjustments (See Data Sheet No 231)



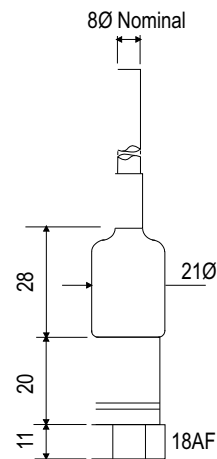
PTX 1830/D
 Pressure Transmitter
 Fully Submersible
 4-20mA Output
 +/- 0.1% Repeatability
 17.5mm dia.
 Ideal for Boreholes. Also
PTX 1830/ 1/4
 Screw-in type for external
 mounting



PTX 530/D
 Pressure Transmitter
 Fully Submersible
 4-20mA Output
 +/- 0.2% Repeatability
 38mm dia.
 Ideal for Boreholes. Also
PTX 510/ 1/4
 Same as above but for
 external mounting



PDCR 1830/D
 Pressure Transducer
 Fully Submersible
 0-100mV Output
 +/- 0.15% Repeatability
 17mm dia.



PDCR 810/ 1/4
 Pressure Transducer
 Screw-in Type
 Fully Submersible
 0-100mV Output
 +/- 0.25% Repeatability
 21mm dia.



HAWKER TECHNICAL SPECIFICATIONS

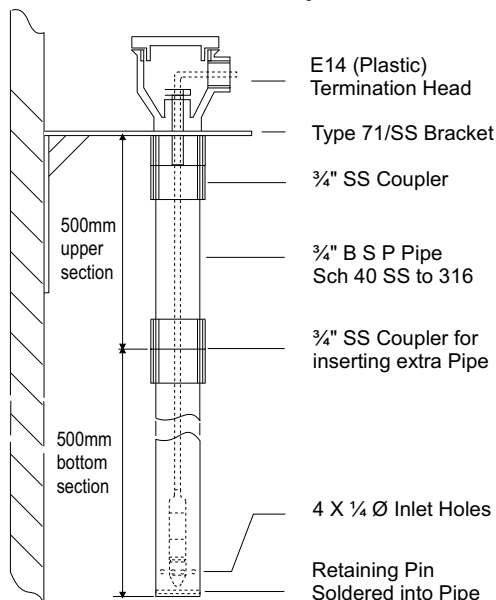
The operating pressures of transducers and transmitters range from 35m bar (0.5 PSI) upwards . They are suitable for liquids which are compatible with their materials of construction. For aggressive liquids a HPTX23 two wire 4-20mA transmitter or an interposing bubbler system may be employed (see data sht no 259).

Submersible transducers have the cable sealed in during manufacture and it is necessary to specify the length when ordering. They may be freely suspended but for sewage applications it is often preferable to incorporate them in a transducer mounting assembly or still well.

Borehole transducers are often lowered into a 1" polythene tube which is strapped to the rising main so that they can easily be removed. Screw-in transducers for mounting externally to the vessel are normally supplied with 1 metre of cable for connection to a weatherproof junction box (longer cable lengths to special order). Transducers in the lower pressure ratings have a vent tube incorporated in the cable to compensate for atmospheric variations, and if connections are made by weatherproof junction boxes, silica gel should be included to absorb moisture.

Intrinsically Safe transducers and transmitters are available for connection, via barriers, to specification EEx IIc T4

Type 786 Transducer mounting & Protector Assembly



Type 788 Stillwell Assembly for use in sewage etc

To Conditioning Equipment

Cable Gland to Secure Cable

Type 81/SS Bracket

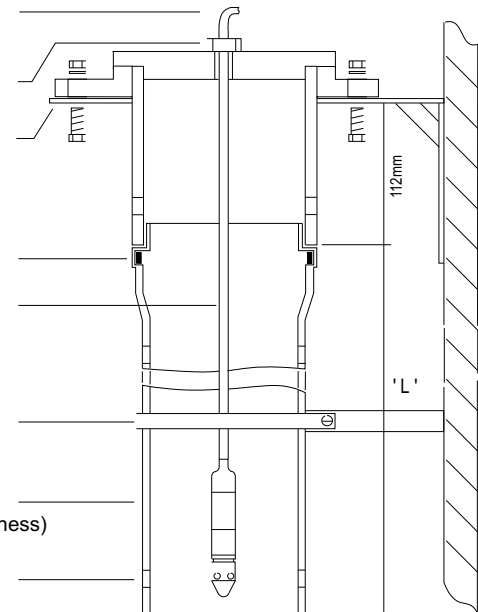
Rubber Seal

Transducer Cable

Optional type 87 Steady Bracket at 3M Intervals (Galvanized or Stainless Steel)

4" NB UPVC Tube (3.5mm Wall Thickness)

1" dia Air Holes Every Metre



'L' = Extension Length
Sections available c/w collar:-
2.0m, 2.5m, 3.0m, or parts thereof

The 786 Assembly Comprises:-

1. A top SS pipe section, 500mm long c/w mounting bracket & termination head.
2. A bottom SS pipe section, 500mm long with soldered in transducer/transmitter retaining pin, & liquid inlet holes. The transducer/transmitter fits inside the pipe & can be withdrawn for servicing, extra SS pipe may be inserted between the two sections to attain the length required. If there are turbulent conditions in the tank, a type 85 steady

786 Transducer mounting assembly protects the transducer/transmitter & allows it to be rigidly mounted at a fixed depth in a tank or vessel

Still Wells an alternative method of protecting & suspending the transducer/transmitter

788 For sewage and those liquids which do not attack UPVC the **788** employs a 4" nominal bore UPVC tube, complete the rubber sealing collar, into which similar tube can be pushed to give the overall length required. The rubber seal grips the pipe tightly but additional self tapping screws can be fitted if decided necessary (not supplied).

For a full list of HAWKER products and application notes visit our web site at www.hawker-electronics.co.uk

HAWKER ELECTRONICS LTD.

57 The Avenue,
Rubery Industrial Estate,
Birmingham B45 9AL, ENGLAND
Telephone :+44 (0)121-453-8911 Fax : +44(0)121-453-3777
e.mail: info@hawker-electronics.co.uk



FM 10000



BRITISH MADE

D626.cdr