



# HAWKER LEVEL CONTROL SYSTEMS

## Heavy Duty Electrode Holder Type HPE8

**HPE8** Electrode holders are suitable for sewage, water and effluent applications. Moulded in Phenolic (SR4007) for high strength and chemical resistance. Supplied with SS clamping collar, rubber gasket and SS nuts and bolts to secure cap to base. The holders will accept 3/4" B.S.P. pipe electrodes of nominal OD 26.7mm and wall thickness 2.87mm.

Electrodes are available in galvanised mild steel, stainless steel type 316, plain or plastic coated, (for the latter please specify HPE8/1). PPA plastic coating is WRAS approved No 0107503.

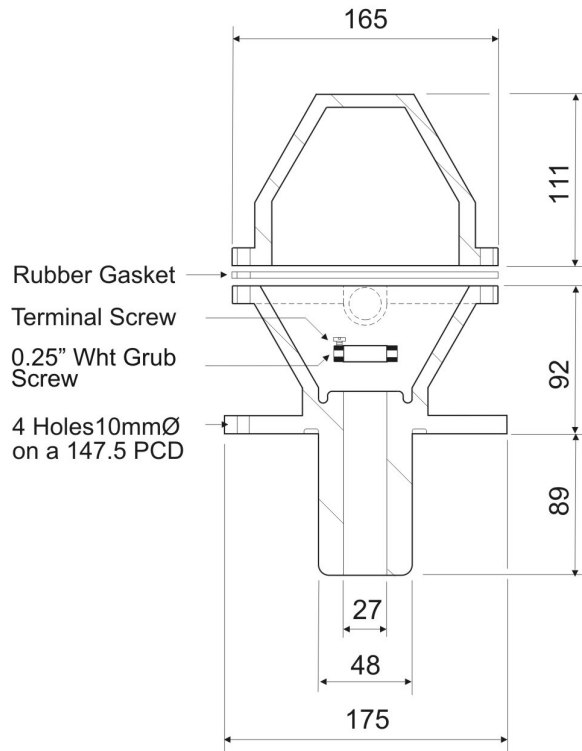
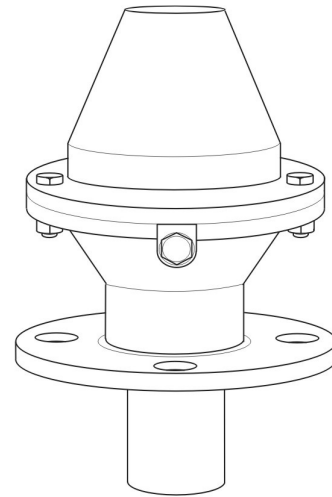
Rubber bungs are available to insert in electrode tip. We provide a service to thread 3/4" B.S.P pipe. Plastic touch-up paint for electrodes is also available.

Maximum shipping length 3.2m. couplers are available for lengths in excess.

Electrode steady brackets are advisable every 3 metres. Electrode adjustment 114mm.

Electrode length is calculated from the underside of the flange plus 92mm.

**INTRINSICALLY SAFE** models for use with P7/IS level controller.



*This product has been designed and complies to the relevant standards as listed in its certificate of conformity the installer/user must ensure compliance. The crossed-out bin symbol, placed on the product, reminds you of the need to dispose of the product correctly at the end of its life. Because of continuing development we reserve the right to change the specifications without notice*

### HAWKER ELECTRONICS LTD.

57 The Avenue,  
 Rubery Industrial Estate,  
 Birmingham B45 9AL, ENGLAND  
 Telephone: +44 (0)121-453-8911 Fax: +44(0)121-453-3777  
 email: [info@hawker-electronics.co.uk](mailto:info@hawker-electronics.co.uk) [www.hawker-electronics.co.uk](http://www.hawker-electronics.co.uk)

