



HAWKER

LEVEL CONTROL SYSTEMS

Borehole Electrodes Type E4 and E5

Borehole electrodes used to control pumps etc, between or at specific levels, or provide level alarms.

Manufactured from UPVC WRAS No 0509061 and Stainless Steel type 316.

E4 is unshrouded.

E5 is shrouded to prevent spurious operation by water in-falls.

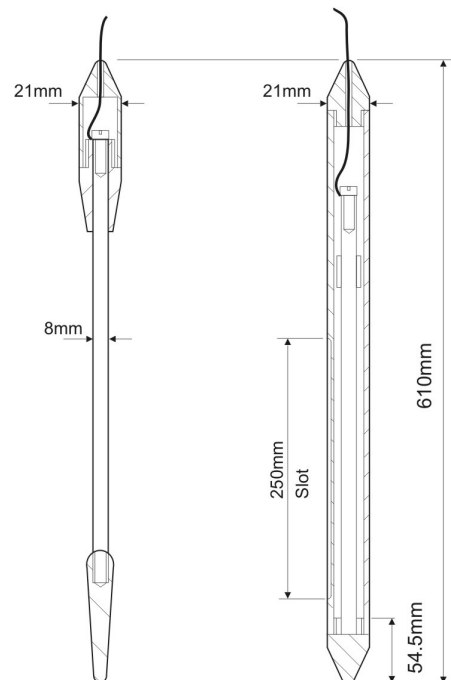
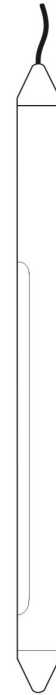
Special electrode suspension cable available.

Conductor: - 7 X 7/0. 1mm Stainless Steel
Polyurethane insulation

Diameter: - Approximately 5mm.
Breaking load approx 75Kgs.

The Stainless Steel cable is used in preference to Copper to reduce the risk of losing the borehole electrode due to galvanic corrosion. It is certified to BS 6920: 2000 WRAS standards.

INTRINSICALLY SAFE models available for use with P7/IS level controller.



This product has been designed and complies to the relevant standards as listed in its certificate of conformity the installer/user must ensure compliance.
The crossed-out bin symbol, placed on the product, reminds you of the need to dispose of the product correctly at the end of its life.
Because of continuing development we reserve the right to change the specifications without notice

HAWKER ELECTRONICS LTD.

57 The Avenue,
Rubery Industrial Estate,
Birmingham B45 9AL, ENGLAND
Telephone: +44 (0)121-453-8911 Fax: +44(0)121-453-3777
email: info@hawker-electronics.co.uk www.hawker-electronics.co.uk



FM 10000



BRITISH MADE