



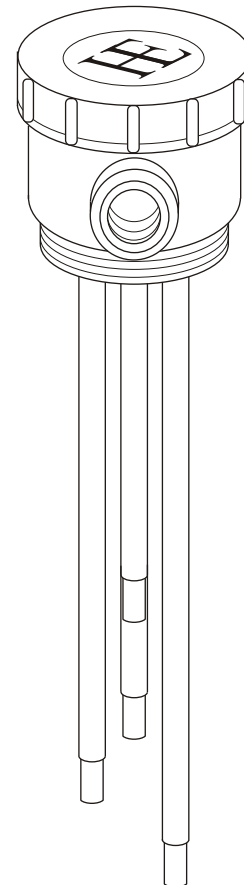
HAWKER

LEVEL CONTROL SYSTEMS

Type E23 Multi-Electrode Holder

*For use with all Level Controllers & Alarms
Operating in Aqueous (Conducting) Liquids
i.e. Water, Acids, Chemical Effluent,
Beverages etc.*

- * Space Saver
- * Accommodates up to 4 Electrodes
- * 2inch BSP P Connection
- * Corrosion Resistant Holder
- * Electrodes available for aggressive liquids



The **E23 Multi Electrode Holder** is moulded in polypropylene copolymers and accommodates up to four 8mm diameter electrodes, up to 3m long. It is ideal for quiescent water tanks, chemical storage tanks and bunds. 4 electrodes enable the E23 to be used for pump control and high or low level alarm. Optional flanges, steady brackets and separators etc are available to aid easy site installation. Always use the well proven CSD circuitry available in the AC, P, and DC1/P ranges of level controllers.

Electrodes:- 316L Stainless Steel with or without PPA coating (WRAS No 0107503), Titanium, Monel, or Hastelloy C

Temp Range:- -20°C to 85°C

Weight:- 0.3Kg

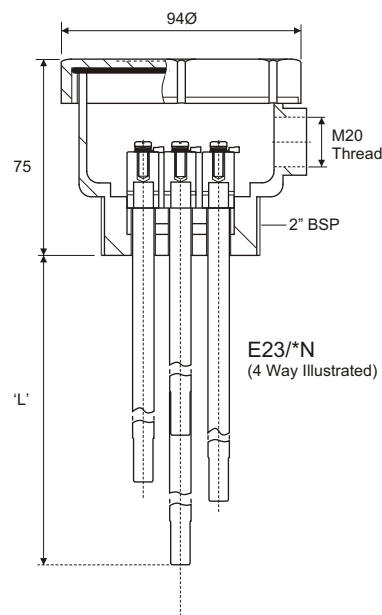
When Ordering Specify:-

*N = N° of Electrodes 2, 3, 4

'L' +35 mm = Electrode lengths

We can offer a range of optional blank flanges for the E23 in PVC and Stainless Steel in 3 metric sizes drilled and tapped to customers specification.

Flange 1/PVC	100mmØX25mm thick
Flange 1/SS	100mmØX25mm thick
Flange 2/PVC	150mmØX25mm thick
Flange 2/SS	150mmØX25mm thick
Flange 3/PVC	200mmØX25mm thick
Flange 3/SS	200mmØX25mm thick



Because of continuing development we reserve the right to change the specifications without notice

HAWKER ELECTRONICS LTD.

57 The Avenue,

Rubery Industrial Estate,

Birmingham B45 9AL, ENGLAND

Telephone: +44 (0)121-453-8911 Fax: +44(0)121-453-3777

email: info@hawker-electronics.co.uk www.hawker-electronics.co.uk



FM 10000



BRITISH MADE