



HAWKER

LEVEL CONTROL SYSTEMS

Type E13/IP68 Multi-Electrode Holder

For use with all level controllers and alarms operating in aqueous (conducting) liquids
i.e. water, acids, chemical effluent, beverages etc.

- Spacer saver
- Accommodates up to 5 electrodes
- Universal flange fitting
- Corrosion resistant
- Submersible to 6 metres of water for up-to 8 hours
- Electrodes available for most aggressive liquids,
(i.e. PPA* coated Stainless Steel, Titanium, Monel,
Hastelloy C)

PPA* plastic coating WRAS No 1610508

The Hawker Multi Electrode Holder is moulded in tough glass filled polypropylene and accommodates up to 5 plastic coated 8mm electrodes up to 3m long. A 5 metre cable is encapsulated into the housing allowing the hosing to be submersed up to 6 metres water depth for up to 8 hours. 5 electrode enable the E13/A/IP68 to be used for pump control with high and low alarms. Use centre hole for earth electrode. Mounting and steady brackets, separators etc, are available to aid easy site installation. Always use well proven, AC or P3/4 or DC1/P series controllers incorporating CSD circuitry.

The Universal Flange is suitable for:-

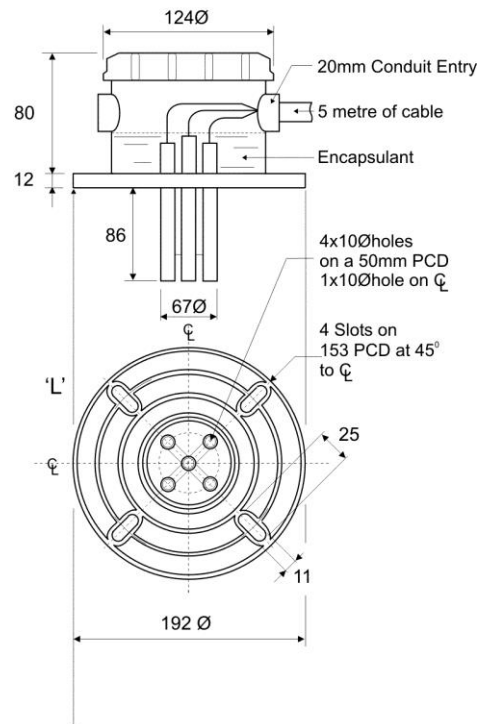
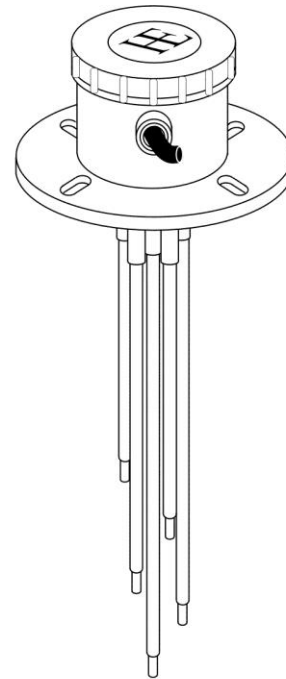
ANSI 3" 150lb
DN 80 PN16 flush fitting or 4 hole only.
BS10 table D 3"
Hawker Type 81 or 81/SS bracket
Fixing kits available (ref 215) to mount E13 to bracket

Temp Range:- -20°C to + 85°C

Weight:- 0.55 Kg

When Ordering Specify:-

N = No of Electrodes
'L' +10mm + Electrode Lengths (This includes a 12mm thread)



This product has been designed and complies to the relevant standards as listed in its certificate of conformity. The installer/user must ensure compliance. Because of continuing development we reserve the right to change the specifications without notice

HAWKER ELECTRONICS LTD.

57 The Avenue,
Rubery Industrial Estate,
Birmingham B45 9AL, ENGLAND
Telephone: +44 (0)121-453-8911 Fax: +44(0)121-453-3777
email: info@hawker-electronics.co.uk www.hawker-electronics.co.uk



FM 10000



BRITISH MADE